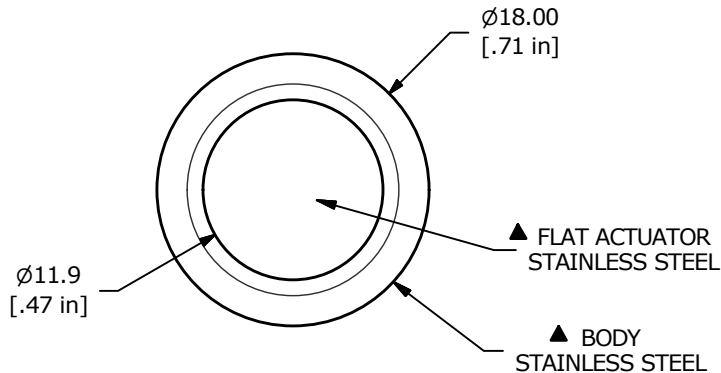
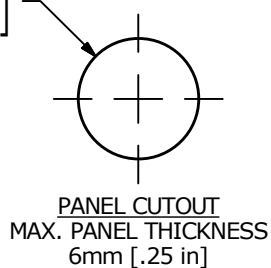
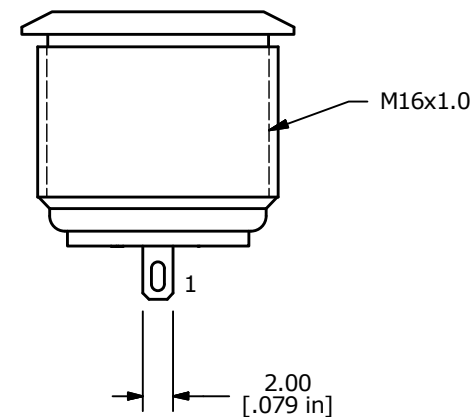
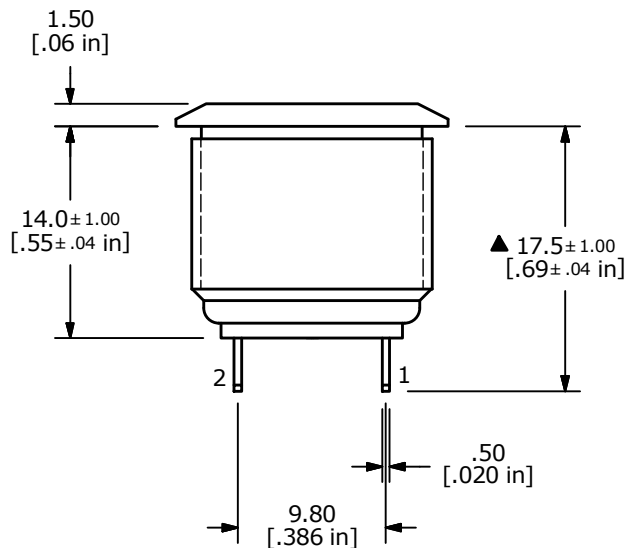
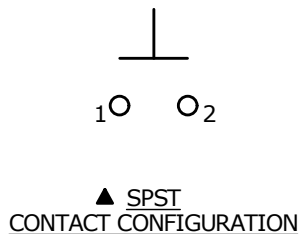


$\varnothing 16.00^{+.20}_{-.00}$
 $[\ .630^{+.008}_{-.000} \text{ in}]$



SWITCH FUNCTION	
POS. 1	POS. 2
OFF	(ON)
OPEN	1-2

(ON) = MOMENTARY



NOTE:

1. ALL DIMENSIONS IN MM [INCH]
2. GENERAL TOLERANCE: X.X = ±0.4
X.XX = ±0.25
3. TERMINAL NUMBERS FOR REF ONLY
- ▲ 4. CONTACT MATERIAL: GOLD PLATED
5. RATING: 2A 48VDC
6. ELECTRIC LIFE: 50,000 CYCLES
7. INSULATION RESISTANCE: 1,000 MΩ MIN.
8. DIELECTRIC STRENGTH: 2,000 VAC MIN. FOR 1 MINUTE
9. CONTACT RESISTANCE: 50mΩ MAX. @ 1A 12VDC
10. OPERATING TEMP.: -20°C to 55°C
- ▲ 11. TRAVEL: 1.8mm
12. ▲ DENOTES CRITICAL PARAMETER.
13. HARDWARE SUPPLIED: O-RING AND HEXNUT (NOT SHOWN)
14. 2011/65/EU (ROHS) COMPLIANT
15. INGRESS PROTECTION: IP65



A	23206	RELEASE FOR PRODUCTION	2/9/18	MW
REV	PCR NO	DESCRIPTION	DATE	BY

TITLE PV6F240SSG				
SCALE	DATE	DR	DWG	REV
2:1	2/9/2018	MW	52-PV6F240SSG	A

THE INFORMATION CONTAINED IN THIS DOCUMENT IS PROPRIETARY TO E-SWITCH AND IS NOT TO BE COPIED OR TRANSFERRED